

Features

- 120 airjets release thousands of heated bubbles that surround and support the body in a warm massage.
- Variable-speed blower lets you adjust massage intensity to 18 levels.
- Heated BubbleMassage™ includes 60-minute automatic shutoff timer.
- Keypad control.
- Hourglass shape adds style and elegance to your bathroom.
- Textured bottom surface.
- Automatic and manual purge cycles remove residual water from air channels after use.

Material

- Acrylic.

Technology

- Heated BubbleMassage™ technology warms and humidifies air before it enters the bath.

Installation

- Reversible drain.

Recommended Products/Accessories

- K-1446 Remote Installation Kit
- K-1491 Bath/Whirlpool Pillow
- K-1601 Bath/whirlpool footstop, removable
- K-7166-AF Bath Drain
- K-24916 Wireless Music Kit
- K-1234 Removable Apron
- K-23726 Drain treatment
- K-23732 Tub & shower cleaner



Codes/Standards

ASME A112.19.7/CSA B45.10
CSA B45.5/IAPMO Z124
ASTM E162
ASTM E662
UL 1795




KOHLER® Hydrotherapy Components Five-Year Limited Warranty KOHLER® Plastic Baths and Receptors Lifetime Limited Warranty

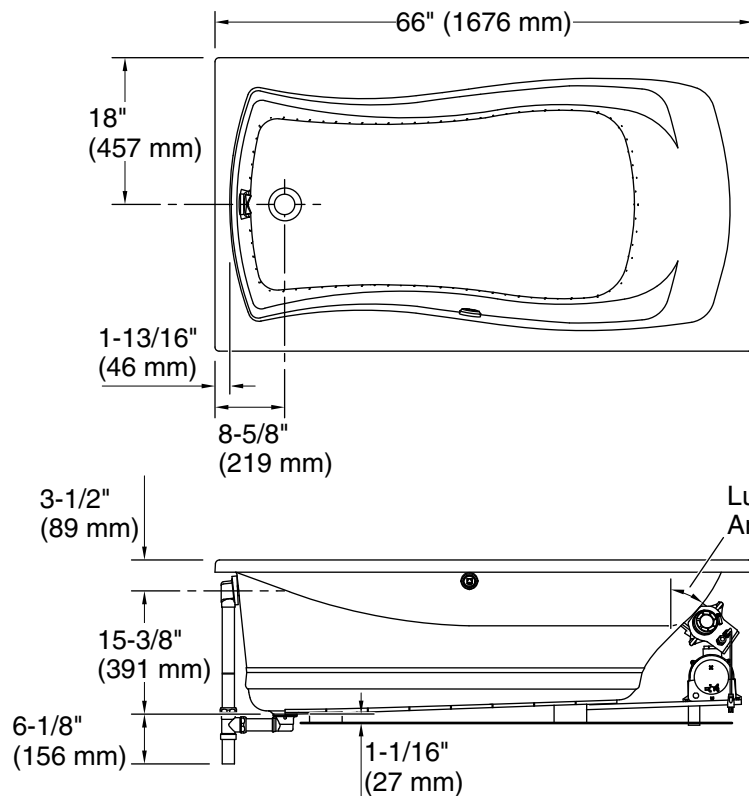
See website for detailed warranty information.

Available Colors/Finishes

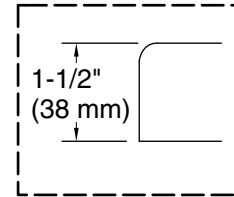
Color tiles intended for reference only.

Color Code Description

	0	White
	96	Biscuit
	NY	Dune

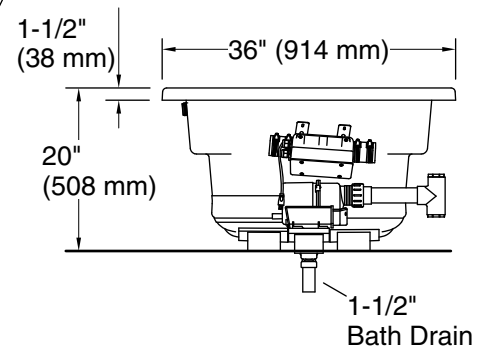


No change in measurements if connected with drain illustrated. (K-7166AF)



Drop-in Rim Detail

Blower Motor Access
 20" (508 mm) W x 15" (381 mm) H Min



Required Electrical Service

Two dedicated circuits required, protected with Class A Ground-Fault Circuit-Interrupter (GFCI). Outside North America, this device may be known as a Residual Current Device (RCD).

Blower: 120 V, 15 A, 60 Hz
 Air bath: 120 V, 15 A, 60 Hz

Technical Information

All product dimensions are nominal.

Installation: Drop-in
 Drain location: End
 Basin area, bottom: 47-1/8" x 19-11/16" (1196 mm x 500 mm)
 Basin area, top: 61-7/16" x 26" (1561 mm x 660 mm)
 Weight: 110 lbs (49.9 kg)
 Minimum floor load: 50 lbs/ft² (244.1 kg/m²)
 Water depth: 13-11/16" (347 mm)
 Water capacity: 67 gal (253.6 L)
 Cutout: Drop-in, 64" x 34" (1626 mm x 864 mm)
 Electrical component rating:
 Blower: 120 V, 10 A, 60 Hz
 Air bath: 120 V, 5 A, 60 Hz

Notes

Measure your actual product for rough-in details.

Install this product according to the installation instructions.

The hot water supply should be 70% of the capacity of the bath or greater. Installations will vary.